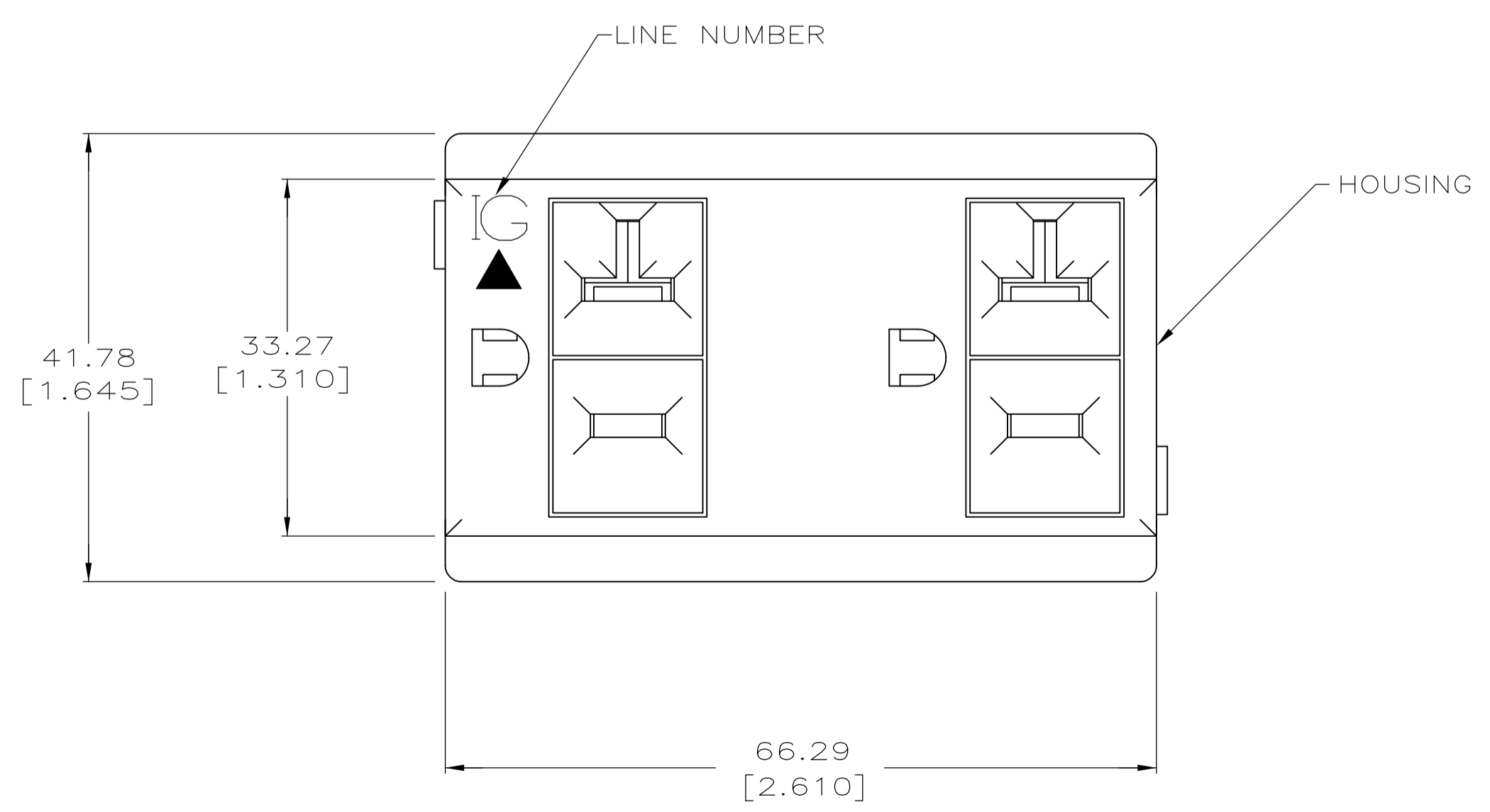
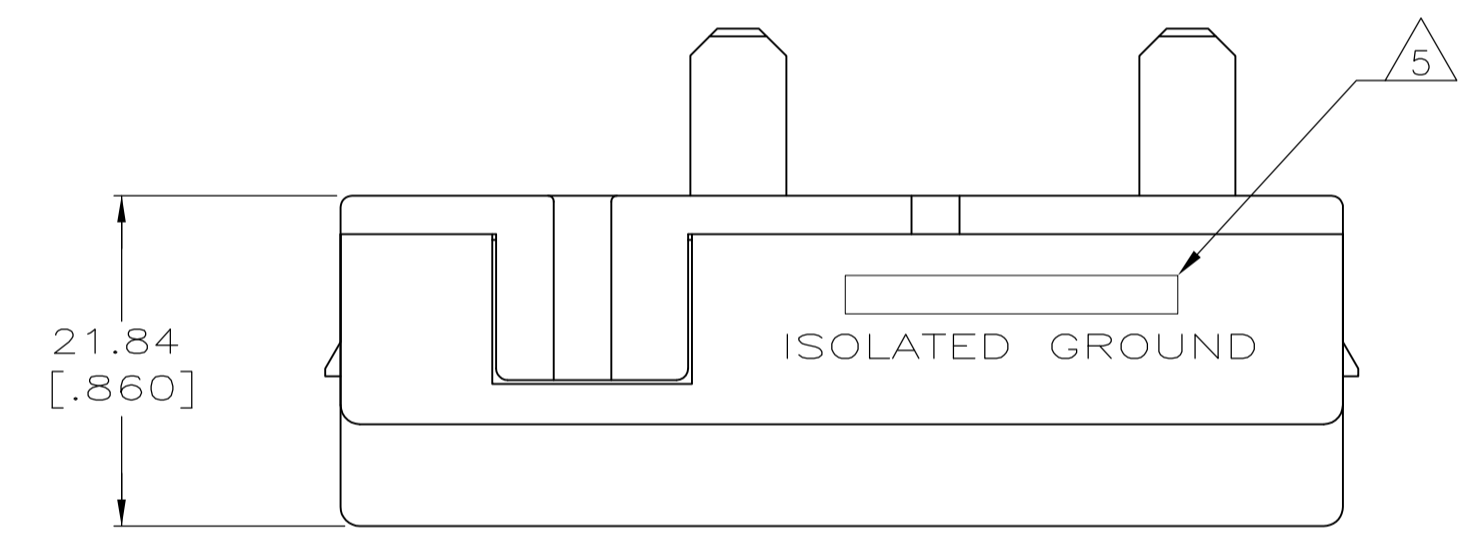
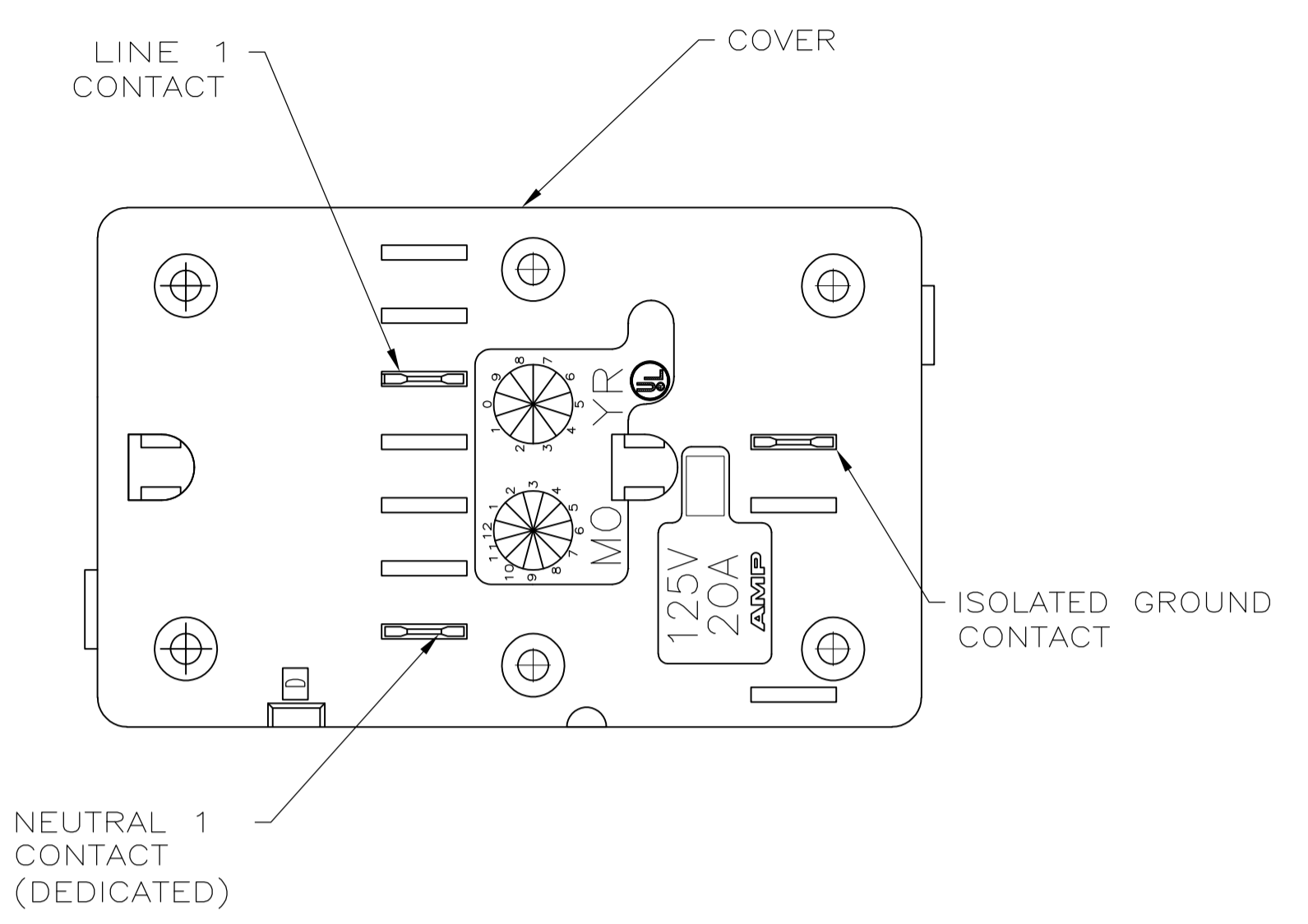


LOC		DIST		REVISIONS			
P	LTR	DESCRIPTION	DATE	DNW	APVD		
B		REV ECO-08-012356	21MAY08	LH	SJ		
C		REV ECO-14-004513	07APR14	JB	MS		



- ⚠ MATERIAL: HOUSING AND COVER – POLYCARBONATE COMPOUND, 94V-0 RATED. SEE TABLE FOR COLOR. CONTACTS – COPPER ALLOY, TIN PLATED.
- ⚠ ALL DIMENSIONS SHOWN ARE NOMINAL UNLESS OTHERWISE SPECIFIED.
- 3. RECEPTACLE IS RATED 125V, 20A.
- 4. DUPLEX RECEPTACLE MATES WITH DEDICATED NEUTRAL POWER JUNCTION BOXES AND POWER STRIPS.
- ⚠ TYCO ELECTRONICS PART NUMBER STAMPED ON SIDE OF DUPLEX HOUSING. SEE TABLE FOR CORRECT PART NUMBER.
- 6. APPLICATION: AMPINNERGY™ MODULAR POWER DISTRIBUTION SYSTEM, A MANUFACTURED WIRING SYSTEM.

LINE NUMBER/TRIANGLE	COLOR	HOUSING COLOR	PART NO.
	WHITE/ORANGE	ORANGE	1933396-2
	WHITE/ORANGE	BLACK	1933396-1

OBSELETE

THIS DRAWING IS A CONTROLLED DOCUMENT.		DIN	09AUG2007	TE Connectivity
		CHK	13AUG2007	
		APVD	S. JONES	NAME
		PRODUCT SPEC		DUPLEX RECEPTACLE, 20 AMP
		APPLICATION SPEC		2 INCH, 3-3-2, LINE 1, ISO GND
		SIZE	A1	RESTRICTED TO
		WEIGHT		
		CUSTOMER DRAWING	SCALE 2:1	SHEET 1 OF 1 REV C