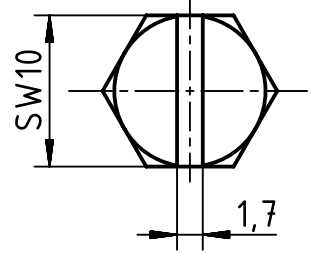
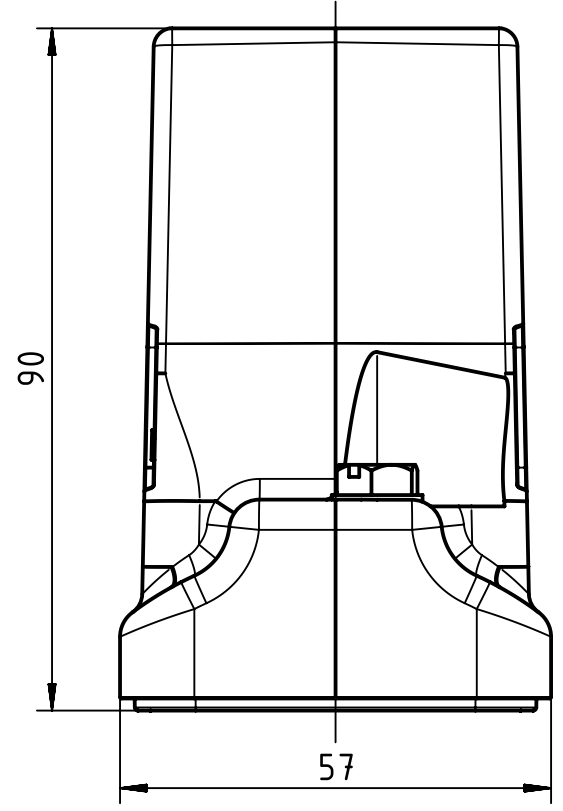
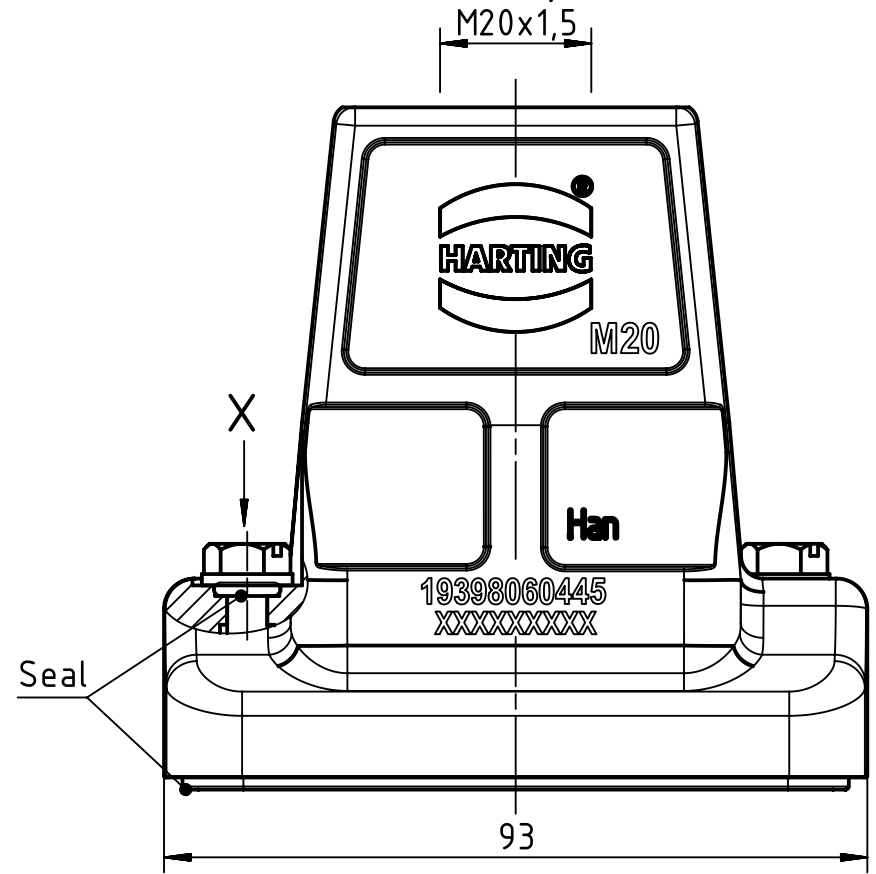
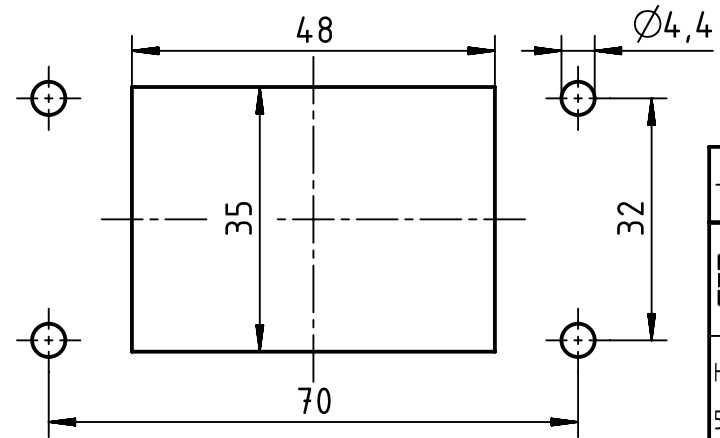


X (2:1)



Panel cut out



	All Dimensions in mm Original Size DIN A4		Scale 1:1	Free size tol.		Ref.
	All rights reserved Department EL PD - CN		Created by LONGL	Inspected by WENE	Standardisation SCHMIDTM	Sub.
HARTING (Zhuhai) Manufacturing Co., Ltd. 519085 Zhuhai, China		Title Han 6HP Direct/EMV-HTE-M20			Date 2017-03-20	State Final Release
				Type TB	Number 19 39 806 0445	Doc-Key / ECM-Nr. 100664940/UGD/003/C 500000116964
					Rev. C	Page 1/1