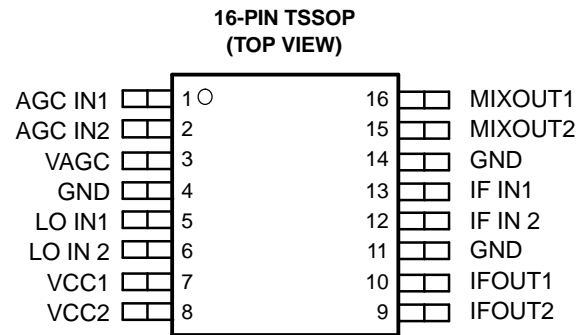


FEATURES

- RF AGC Amplifier, Mixer, and IF Amplifier Circuits
- Low Distortion
- 5-V Power Supply
- 16-Pin TSSOP Package

APPLICATION

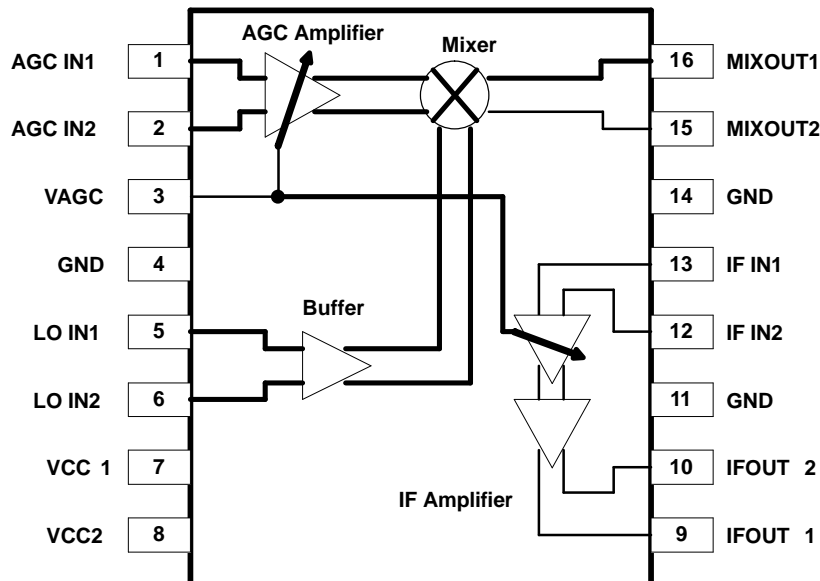
- CATV



DESCRIPTION

The SN761688 is a monolithic IC designed as an out-of-band tuner for CATV. The circuit consists of an RF AGC amplifier, mixer, and IF amplifier, and is available in a small-outline package.

FUNCTIONAL BLOCK DIAGRAM



This integrated circuit can be damaged by ESD. Texas Instruments recommends that all integrated circuits be handled with appropriate precautions. Failure to observe proper handling and installation procedures can cause damage.



ESD damage can range from subtle performance degradation to complete device failure. Precision integrated circuits may be more susceptible to damage because very small parametric changes could cause the device not to meet its published specifications.



Please be aware that an important notice concerning availability, standard warranty, and use in critical applications of Texas Instruments semiconductor products and disclaimers thereto appears at the end of this data sheet.

TERMINAL FUNCTIONS

TERMINAL NAME		NO.	DESCRIPTION	SCHEMATIC
AGC IN1	1	1	Input of AGC amplifier	Figure 1
AGC IN2	2			
VAGC	3	3	Input of gain control voltage	Figure 2
GND	4, 11, 14	4, 11, 14	Ground	
LO IN1	5	5	Input of local OSC	Figure 3
LO IN2	6			
VCC1	7	7	5 V power supply; AGC/Mixer/Buffer	
VCC2	8	8	5 V power supply; IF amplifier	
IF OUT1	9	9	Output of IF amplifier	Figure 4
IF OUT2	10			
IF IN2	12	12	Input of IF amplifier	Figure 5
IF IN1	13			
MIXOUT2	15	15	Output of Mixer	Figure 6
MIXOUT1	16			

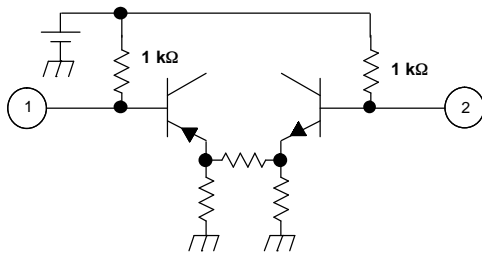


Figure 1.

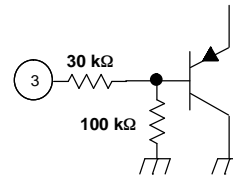


Figure 2.

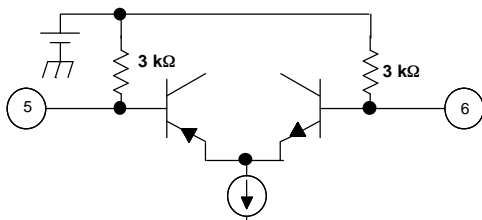


Figure 3.

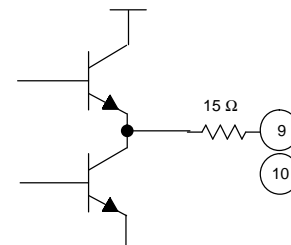


Figure 4.

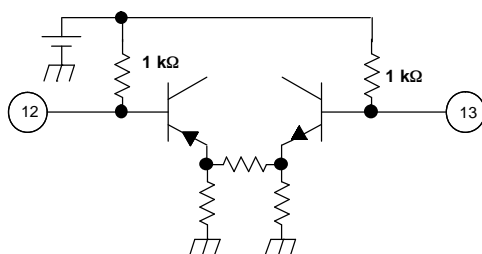


Figure 5.

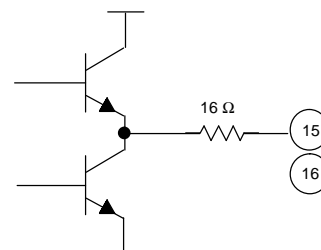


Figure 6.

ABSOLUTE MAXIMUM RATINGS

over operating free-air temperature range (unless otherwise noted) ⁽¹⁾

Supply voltage, V_{CC} ⁽²⁾	VCC1,2 (Pin 7, 8)	-0.4 V to 6.5 V
Input voltage ⁽²⁾	V_{IN} (Pins 1, 2, 3, 5, 6, 12, 13)	-0.4 V to V_{CC}
Continuous total dissipation, P_D ⁽³⁾	$T_A \leq 25^\circ\text{C}$	775 mW
Maximum junction temperature, T_J		150°C

- (1) Stresses beyond those listed under "absolute maximum ratings" may cause permanent damage to the device. These are stress ratings only, and functional operation of the device at these or any other conditions beyond those indicated under "recommended operating conditions" is not implied. Exposure to absolute-maximum-rated conditions for extended periods may affect device reliability.
- (2) Voltage values are with respect to the GND of the circuit.
- (3) Derating factor is 6.2 mW/°C for $T_A \geq 25^\circ\text{C}$.

RECOMMENDED OPERATING CONDITIONS

over operating free-air temperature range (unless otherwise noted)

	MIN	NOM	MAX	UNIT
Supply voltage, V_{CC}	4.5	5	5.5	V
Operating free-air temperature, T_A	-20		85	°C

DC ELECTRICAL CHARACTERISTICS

$V_{CC} = 5\text{ V}$, $T_A = 25^\circ\text{C}$, unless otherwise noted

PARAMETER	TEST CONDITIONS	MIN	TYP	MAX	UNIT
I_{CC} Supply current	No signal, $V_{AGC} = 0\text{ V}$		67		mA
I_{AGC} Input current (V_{AGC})	$V_{AGC} = 3\text{ V}$		22	33	μA
$V_{AGC\text{MAX}}$ AGC voltage high at maximum gain		3		V_{CC}	V
$V_{AGC\text{MIN}}$ AGC voltage low at minimum gain		0		0.5	V

AC ELECTRICAL CHARACTERISTICS

$V_{CC} = 5\text{ V}$, $T_A = 25^\circ\text{C}$, unless otherwise noted

PARAMETER	TEST CONDITIONS	MIN	TYP	MAX	UNIT
AGC amplifier and mixer ⁽¹⁾					
GC_{MAX} Maximum conversion gain	$V_{AGC} = 3\text{ V}$	27	30	33	dB
GC_{MIN} Minimum conversion gain	$V_{AGC} = 0\text{ V}$	-21	-18	-15	dB
GCR_{MIX} Gain control range	$V_{AGC} = 0\text{ V to } 3\text{ V}$		48		dB
V_{MIXOUT} Mixer output voltage	$V_{AGC} = 3\text{ V}$, Single-ended output		117		$\text{dB}\mu\text{V}$
NF Noise figure ⁽²⁾	$V_{AGC} = 3\text{ V}$		10		dB
$IM3_{\text{GMX}}$ Third order intermodulation distortion	$f_{\text{IN1}} = 79.5\text{ MHz}$, $f_{\text{IN2}} = 80.5\text{ MHz}$, $V_{\text{OUT}} = -10\text{ dBm}$, $V_{AGC} = 3\text{ V}$		-60		dBc
$OIP3_{\text{GMX}}$ Output intercept point	$f_{\text{IN1}} = 79.5\text{ MHz}$, $f_{\text{IN2}} = 80.5\text{ MHz}$, $V_{AGC} = 3\text{ V}$		20		dBm
IF amplifier ⁽³⁾					
GV_{IFMAX} Maximum voltage gain	$V_{AGC} = 3\text{ V}$		51		dB
GV_{IFMIN} Minimum voltage gain	$V_{AGC} = 0\text{ V}$		46		dB
GVR_{IF} Gain control range	$V_{AGC} = 0\text{ V to } 3\text{ V}$		5		dB
$IM3_{\text{IF}}$ Third order intermodulation distortion	$f_{\text{IN1}} = 43.5\text{ MHz}$, $f_{\text{IN2}} = 445\text{ MHz}$, $V_{\text{IFOUT}} = 1\text{ dBm}$, $V_{AGC} = 3\text{ V}$		-60		dBc
V_{IFOUT} IF amplifier output voltage	$V_{AGC} = 3\text{ V}$, Single-ended output		122		$\text{dB}\mu\text{V}$

- (1) Measurement Circuit 1 except for Noise Figure measurement. AGC IN = 80 MHz/-37 dBm, LO IN = 36 MHz / -20 dBm, IF = 44 MHz, unless otherwise noted.
- (2) Measurement Circuit 2.
- (3) Measurement Circuit 3. IF IN = 44 MHz / -50 dBm, unless otherwise noted.

APPLICATION INFORMATION

MEASUREMENT CIRCUITS

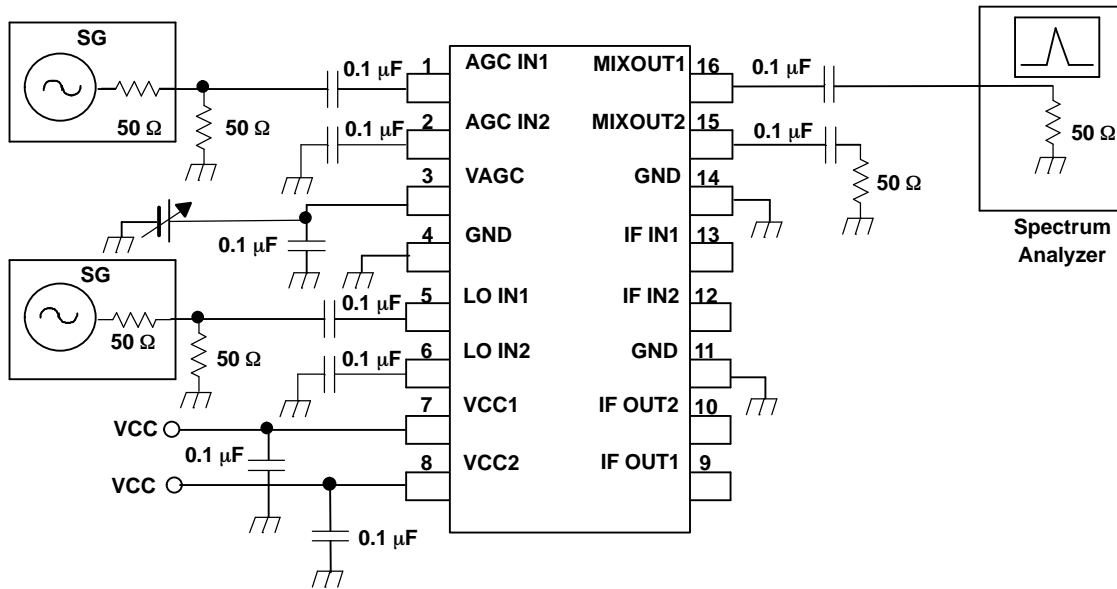


Figure 7. Measurement Circuit 1

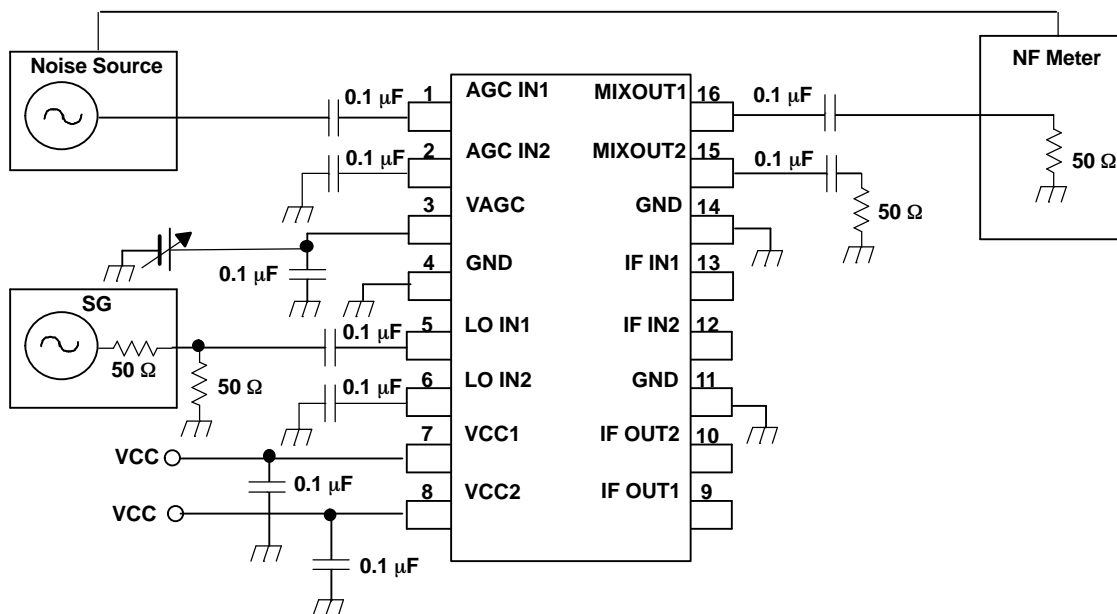


Figure 8. Measurement Circuit 2

APPLICATION INFORMATION (continued)

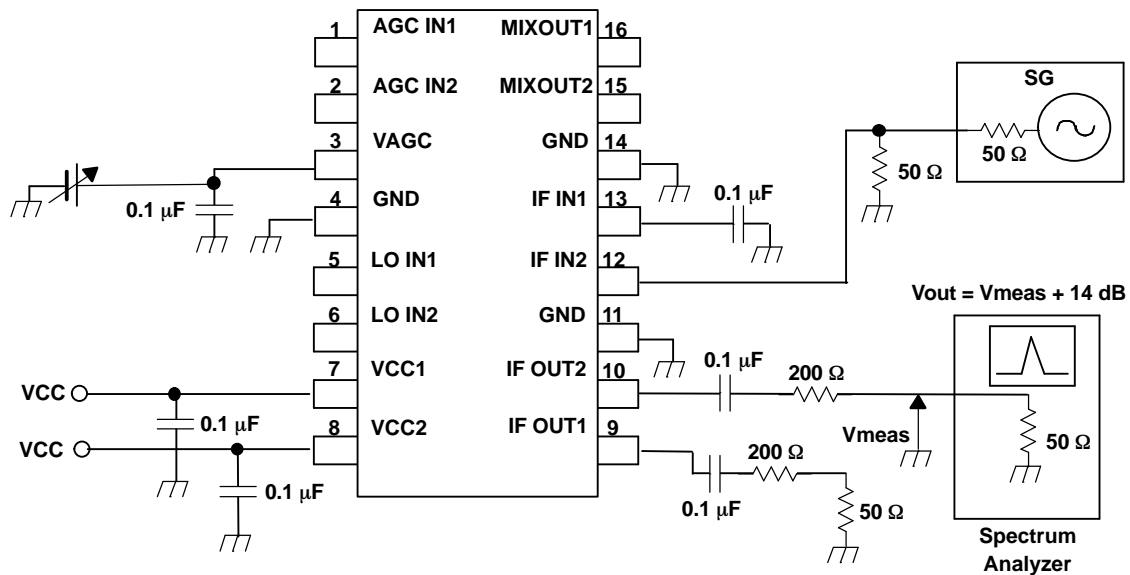


Figure 9. Measurement Circuit 3

NOTE:

This application information is advisory and a performance check is required at the actual application circuits.

Texas Instruments assumes no responsibility for the consequences of use of these application circuits, such as infringement of intellectual property rights or other rights, including patents, of third parties.

TYPICAL CHARACTERISTICS

Mixer Conversion Gain
vs
AGC Control Voltage

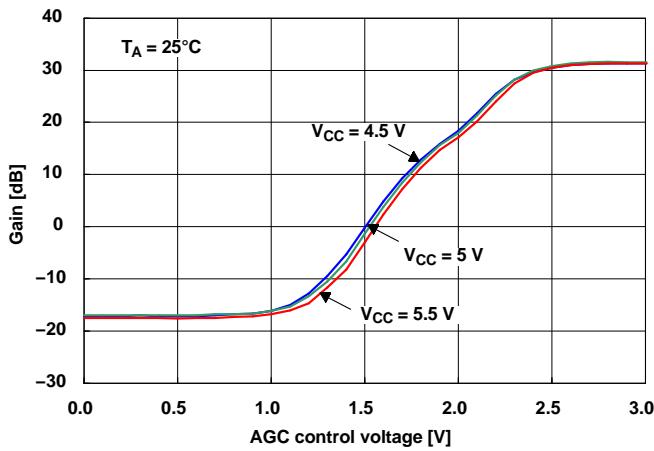


Figure 10.

Mixer Conversion Gain
vs
AGC Control Voltage

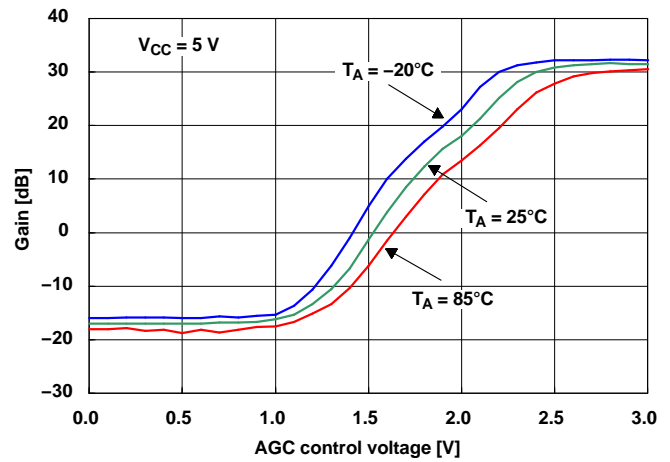


Figure 11.

Mixer Output Level
vs
AGC IN Input Level

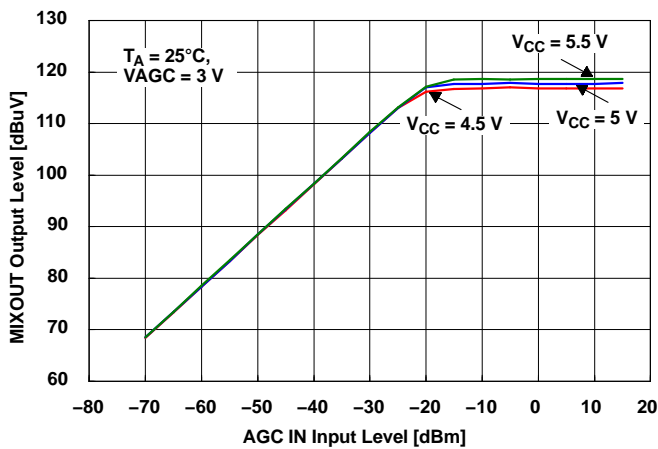


Figure 12.

Mixer Output Level
vs
LO IN Input Level

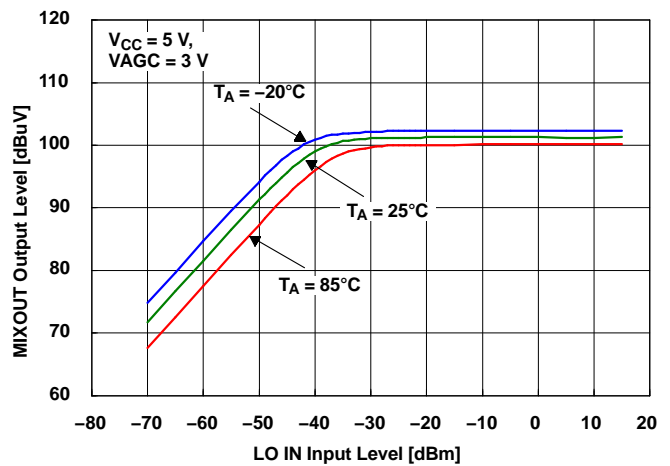
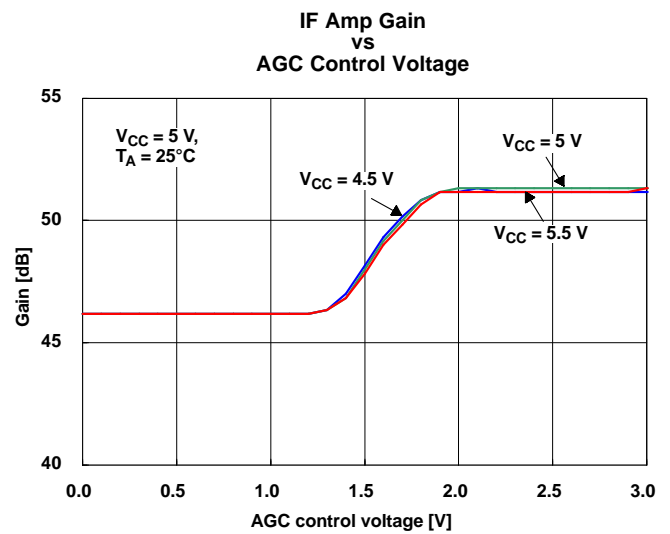
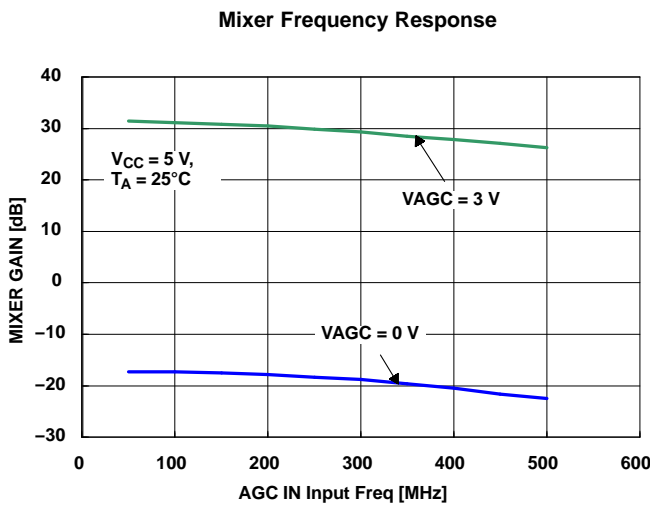
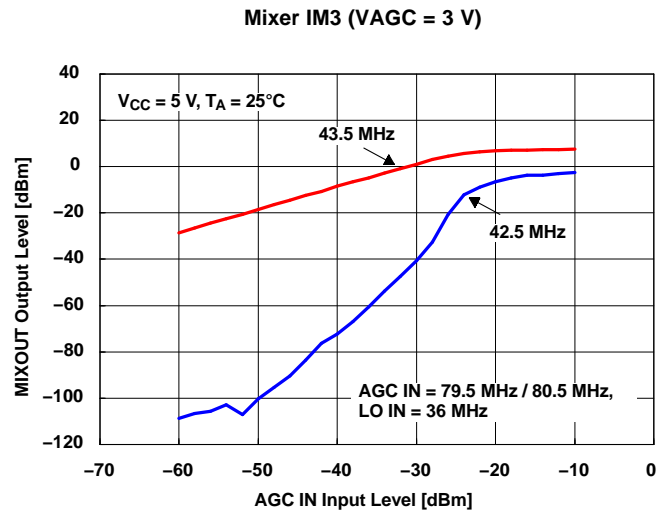
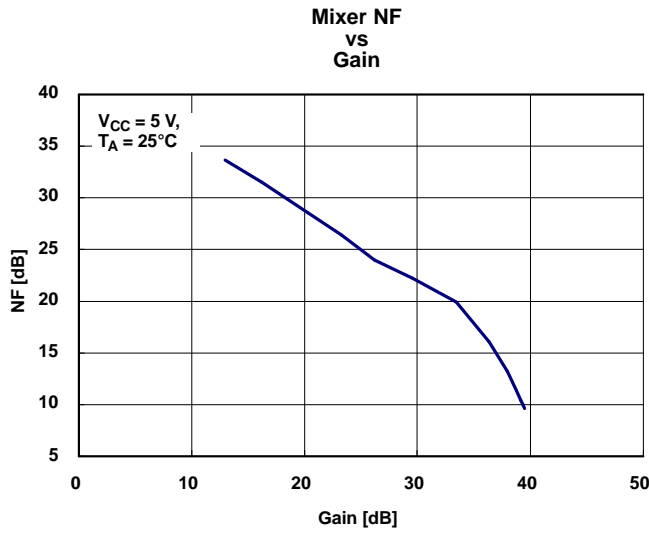
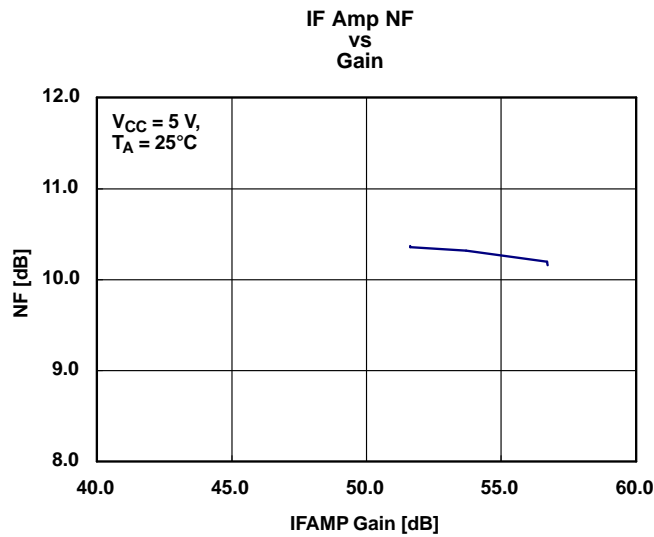
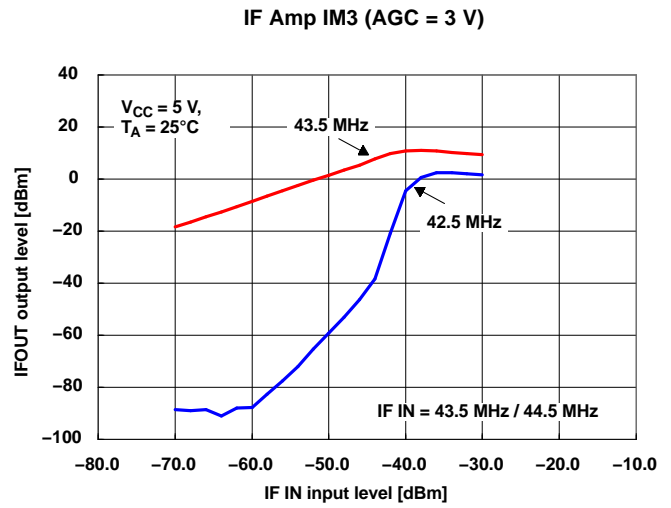
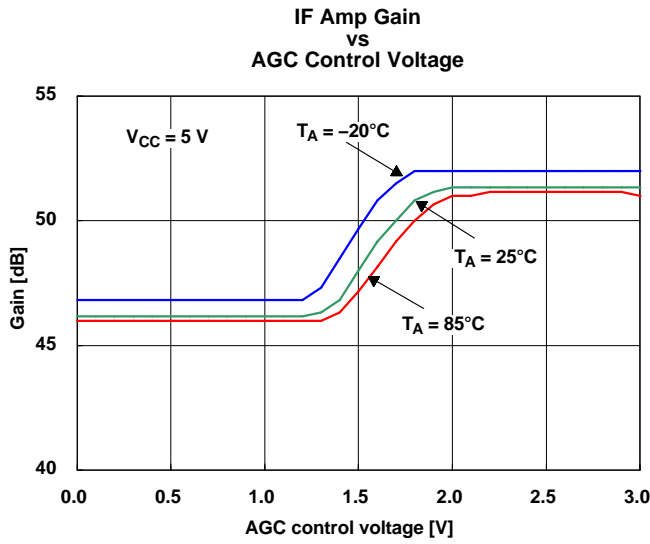


Figure 13.

TYPICAL CHARACTERISTICS (continued)



TYPICAL CHARACTERISTICS (continued)



TYPICAL CHARACTERISTICS (continued)

S-PARAMETER

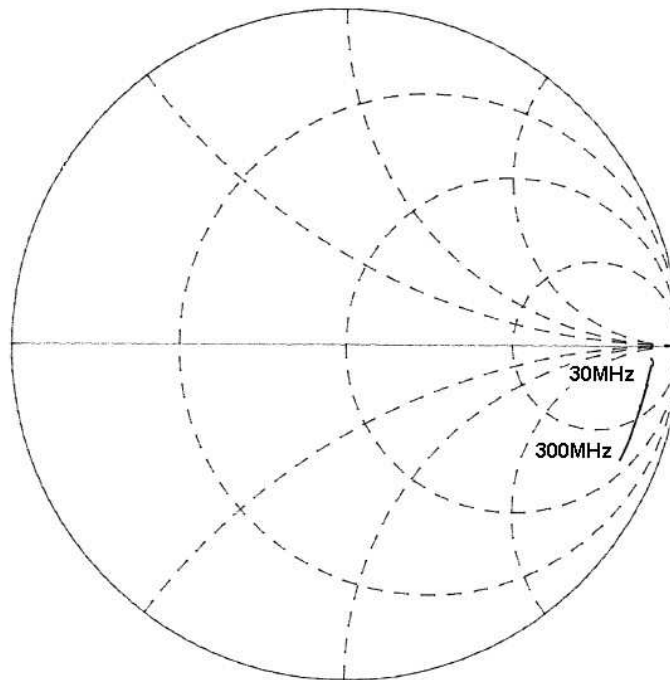


Figure 21. AGC IN

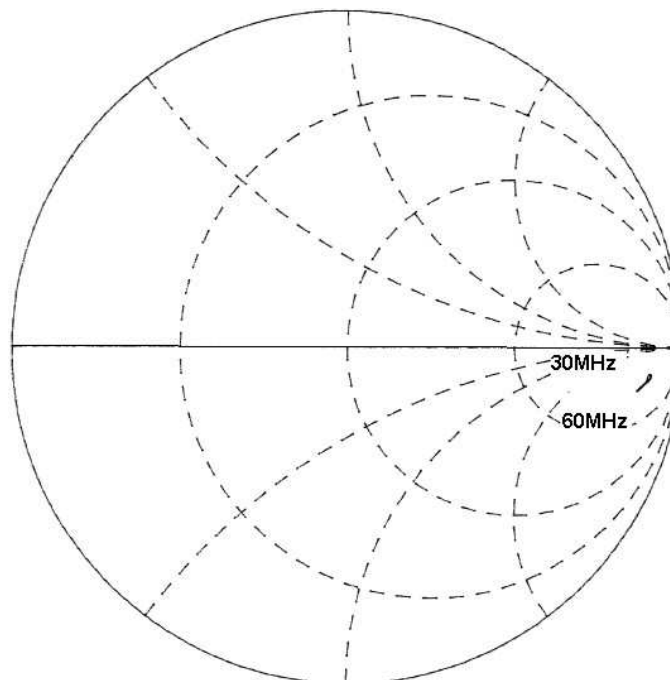


Figure 22. IF IN

TYPICAL CHARACTERISTICS (continued)

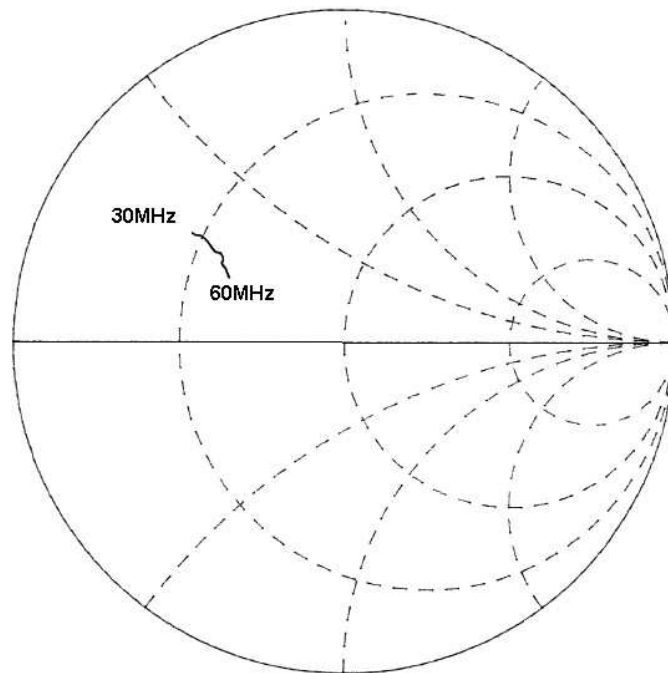


Figure 23. IF OUT

PACKAGING INFORMATION

Orderable Device	Status (1)	Package Type	Package Drawing	Pins	Package Qty	Eco Plan (2)	Lead/Ball Finish	MSL Peak Temp (3)	Op Temp (°C)	Device Marking (4/5)	Samples
SN761688PW	OBSOLETE	TSSOP	PW	16		TBD	Call TI	Call TI	-20 to 85		
SN761688PWR	OBSOLETE	TSSOP	PW	16		TBD	Call TI	Call TI	-20 to 85	B1688	
SN761688PWRG4	OBSOLETE	TSSOP	PW	16		TBD	Call TI	Call TI	-20 to 85	B1688	

(1) The marketing status values are defined as follows:

ACTIVE: Product device recommended for new designs.

LIFEBUY: TI has announced that the device will be discontinued, and a lifetime-buy period is in effect.

NRND: Not recommended for new designs. Device is in production to support existing customers, but TI does not recommend using this part in a new design.

PREVIEW: Device has been announced but is not in production. Samples may or may not be available.

OBSOLETE: TI has discontinued the production of the device.

(2) Eco Plan - The planned eco-friendly classification: Pb-Free (RoHS), Pb-Free (RoHS Exempt), or Green (RoHS & no Sb/Br) - please check <http://www.ti.com/productcontent> for the latest availability information and additional product content details.

TBD: The Pb-Free/Green conversion plan has not been defined.

Pb-Free (RoHS): TI's terms "Lead-Free" or "Pb-Free" mean semiconductor products that are compatible with the current RoHS requirements for all 6 substances, including the requirement that lead not exceed 0.1% by weight in homogeneous materials. Where designed to be soldered at high temperatures, TI Pb-Free products are suitable for use in specified lead-free processes.

Pb-Free (RoHS Exempt): This component has a RoHS exemption for either 1) lead-based flip-chip solder bumps used between the die and package, or 2) lead-based die adhesive used between the die and leadframe. The component is otherwise considered Pb-Free (RoHS compatible) as defined above.

Green (RoHS & no Sb/Br): TI defines "Green" to mean Pb-Free (RoHS compatible), and free of Bromine (Br) and Antimony (Sb) based flame retardants (Br or Sb do not exceed 0.1% by weight in homogeneous material)

(3) MSL, Peak Temp. -- The Moisture Sensitivity Level rating according to the JEDEC industry standard classifications, and peak solder temperature.

(4) There may be additional marking, which relates to the logo, the lot trace code information, or the environmental category on the device.

(5) Multiple Device Markings will be inside parentheses. Only one Device Marking contained in parentheses and separated by a "~" will appear on a device. If a line is indented then it is a continuation of the previous line and the two combined represent the entire Device Marking for that device.

Important Information and Disclaimer: The information provided on this page represents TI's knowledge and belief as of the date that it is provided. TI bases its knowledge and belief on information provided by third parties, and makes no representation or warranty as to the accuracy of such information. Efforts are underway to better integrate information from third parties. TI has taken and continues to take reasonable steps to provide representative and accurate information but may not have conducted destructive testing or chemical analysis on incoming materials and chemicals. TI and TI suppliers consider certain information to be proprietary, and thus CAS numbers and other limited information may not be available for release.

In no event shall TI's liability arising out of such information exceed the total purchase price of the TI part(s) at issue in this document sold by TI to Customer on an annual basis.

PW (R-PDSO-G16)

PLASTIC SMALL OUTLINE



4040064-4/G 02/11

- NOTES:
- A. All linear dimensions are in millimeters. Dimensioning and tolerancing per ASME Y14.5M-1994.
 - B. This drawing is subject to change without notice.
 -  Body length does not include mold flash, protrusions, or gate burrs. Mold flash, protrusions, or gate burrs shall not exceed 0,15 each side.
 -  Body width does not include interlead flash. Interlead flash shall not exceed 0,25 each side.
 - E. Falls within JEDEC MO-153

IMPORTANT NOTICE

Texas Instruments Incorporated and its subsidiaries (TI) reserve the right to make corrections, enhancements, improvements and other changes to its semiconductor products and services per JESD46, latest issue, and to discontinue any product or service per JESD48, latest issue. Buyers should obtain the latest relevant information before placing orders and should verify that such information is current and complete. All semiconductor products (also referred to herein as "components") are sold subject to TI's terms and conditions of sale supplied at the time of order acknowledgment.

TI warrants performance of its components to the specifications applicable at the time of sale, in accordance with the warranty in TI's terms and conditions of sale of semiconductor products. Testing and other quality control techniques are used to the extent TI deems necessary to support this warranty. Except where mandated by applicable law, testing of all parameters of each component is not necessarily performed.

TI assumes no liability for applications assistance or the design of Buyers' products. Buyers are responsible for their products and applications using TI components. To minimize the risks associated with Buyers' products and applications, Buyers should provide adequate design and operating safeguards.

TI does not warrant or represent that any license, either express or implied, is granted under any patent right, copyright, mask work right, or other intellectual property right relating to any combination, machine, or process in which TI components or services are used. Information published by TI regarding third-party products or services does not constitute a license to use such products or services or a warranty or endorsement thereof. Use of such information may require a license from a third party under the patents or other intellectual property of the third party, or a license from TI under the patents or other intellectual property of TI.

Reproduction of significant portions of TI information in TI data books or data sheets is permissible only if reproduction is without alteration and is accompanied by all associated warranties, conditions, limitations, and notices. TI is not responsible or liable for such altered documentation. Information of third parties may be subject to additional restrictions.

Resale of TI components or services with statements different from or beyond the parameters stated by TI for that component or service voids all express and any implied warranties for the associated TI component or service and is an unfair and deceptive business practice. TI is not responsible or liable for any such statements.

Buyer acknowledges and agrees that it is solely responsible for compliance with all legal, regulatory and safety-related requirements concerning its products, and any use of TI components in its applications, notwithstanding any applications-related information or support that may be provided by TI. Buyer represents and agrees that it has all the necessary expertise to create and implement safeguards which anticipate dangerous consequences of failures, monitor failures and their consequences, lessen the likelihood of failures that might cause harm and take appropriate remedial actions. Buyer will fully indemnify TI and its representatives against any damages arising out of the use of any TI components in safety-critical applications.

In some cases, TI components may be promoted specifically to facilitate safety-related applications. With such components, TI's goal is to help enable customers to design and create their own end-product solutions that meet applicable functional safety standards and requirements. Nonetheless, such components are subject to these terms.

No TI components are authorized for use in FDA Class III (or similar life-critical medical equipment) unless authorized officers of the parties have executed a special agreement specifically governing such use.

Only those TI components which TI has specifically designated as military grade or "enhanced plastic" are designed and intended for use in military/aerospace applications or environments. Buyer acknowledges and agrees that any military or aerospace use of TI components which have **not** been so designated is solely at the Buyer's risk, and that Buyer is solely responsible for compliance with all legal and regulatory requirements in connection with such use.

TI has specifically designated certain components as meeting ISO/TS16949 requirements, mainly for automotive use. In any case of use of non-designated products, TI will not be responsible for any failure to meet ISO/TS16949.

Products

Audio	www.ti.com/audio
Amplifiers	amplifier.ti.com
Data Converters	dataconverter.ti.com
DLP® Products	www.dlp.com
DSP	dsp.ti.com
Clocks and Timers	www.ti.com/clocks
Interface	interface.ti.com
Logic	logic.ti.com
Power Mgmt	power.ti.com
Microcontrollers	microcontroller.ti.com
RFID	www.ti-rfid.com
OMAP Applications Processors	www.ti.com/omap
Wireless Connectivity	www.ti.com/wirelessconnectivity

Applications

Automotive and Transportation	www.ti.com/automotive
Communications and Telecom	www.ti.com/communications
Computers and Peripherals	www.ti.com/computers
Consumer Electronics	www.ti.com/consumer-apps
Energy and Lighting	www.ti.com/energy
Industrial	www.ti.com/industrial
Medical	www.ti.com/medical
Security	www.ti.com/security
Space, Avionics and Defense	www.ti.com/space-avionics-defense
Video and Imaging	www.ti.com/video

TI E2E Community

e2e.ti.com