



PRODUCT DATASHEET

Mirella series

last update 24/3/2016

DETAILS

Product Number	C13083_PF-SOCKET
Family	Mirella
Type	Base part
Color	white
Diameter	38 mm
Height	5,5 mm
Style	round
Optic Material	
Holder Material	PC
Fastening	screw, tape, glue
Status	production ready
ROHS Compliant	Yes
Date Updated	24/03/2016



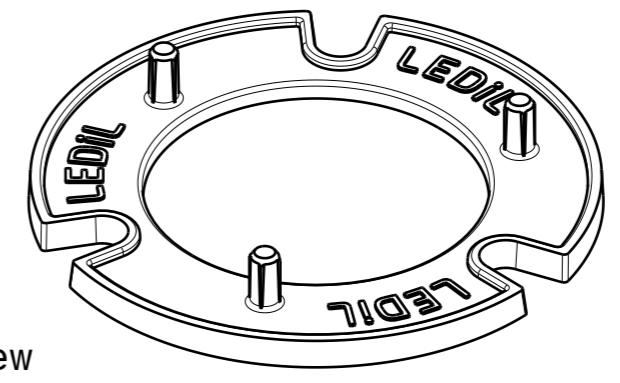
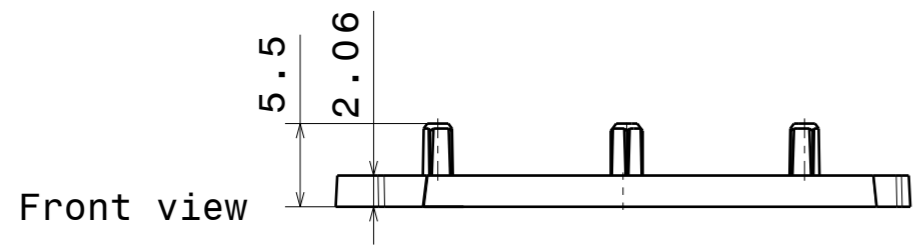
OPTICAL PROPERTIES

LED	Viewing Angle	Light Beam	Efficiency	cd/lm	Connector
-	N/A deg	-	-	-	-

H G F E D C B A

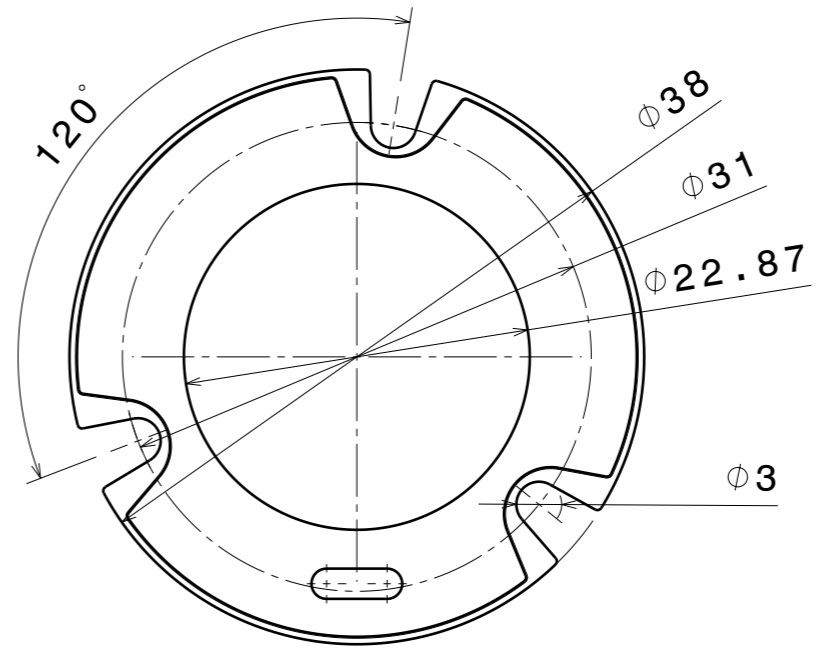
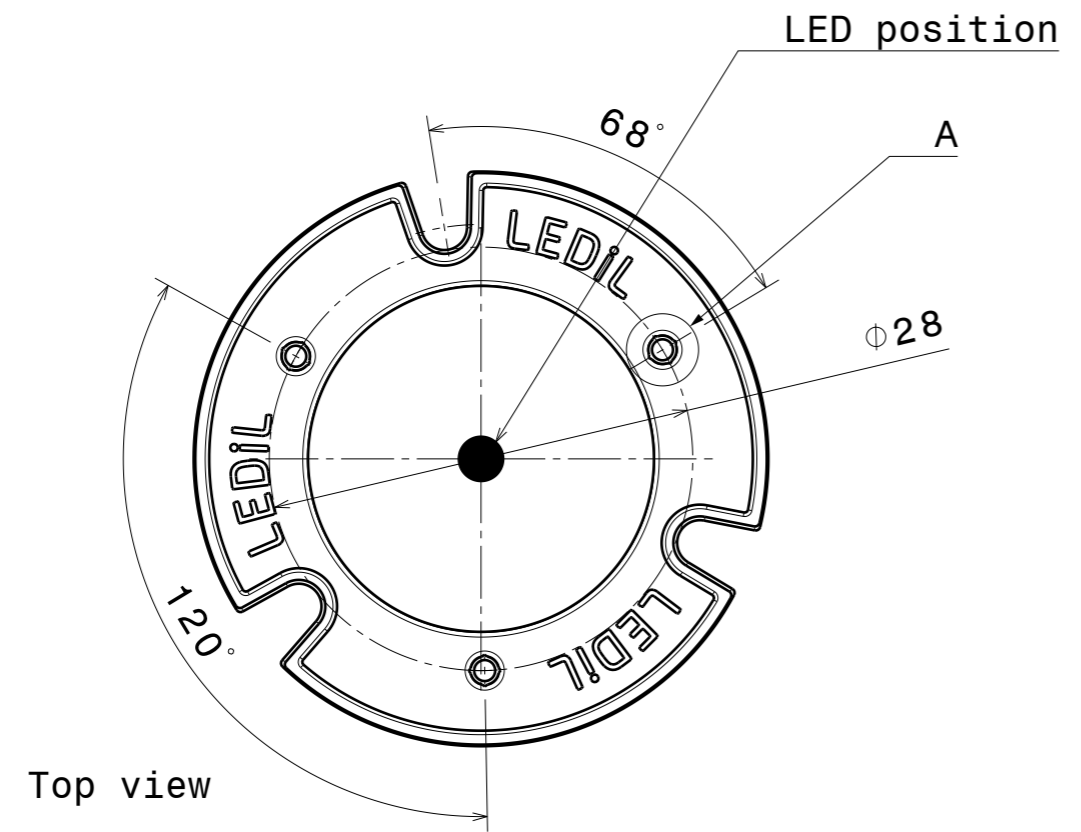
4

4



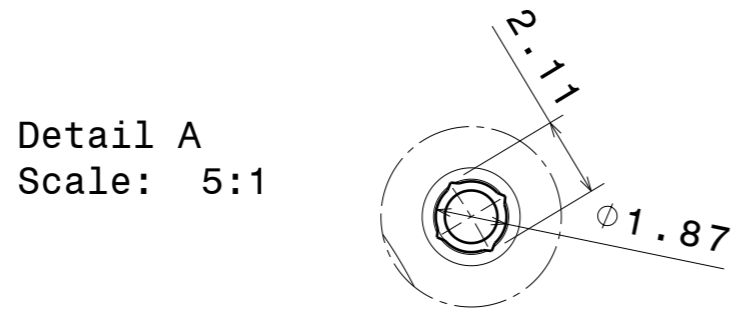
3

3



2

2



INDEX	PART NO	DESCRIPTION	MATERIAL	COLOUR
1	C13083	PF-SOCKET	PC	white

Tolerances if not otherwise shown According to DIN ISO 2768-1 Linear measures: class C According to DIN ISO 2768-2 Form and position: class L		 Ledil Oy Salorankatu 10 FIN 24240 SALO Finland		
THIRD ANGLE PROJECTION: 		DRAWING TITLE C13083_PF-SOCKET		
This drawing is the property of LEDiL Oy. It may not be reproduced, copied or communicated without a written agreement with LEDiL Oy.		SIZE PART NUMBER A3 C13083		
SCALE 2:1		WEIGHT 1,15 g		SHEET 1/1

1

1

H G B A

NOTE: The typical divergence will be changed by different color, chip size and chip position tolerance. The typical total divergence is the full angle measured where the luminous intensity is half of the peak value.