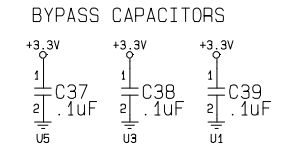
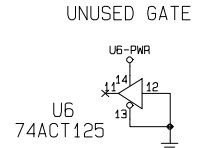
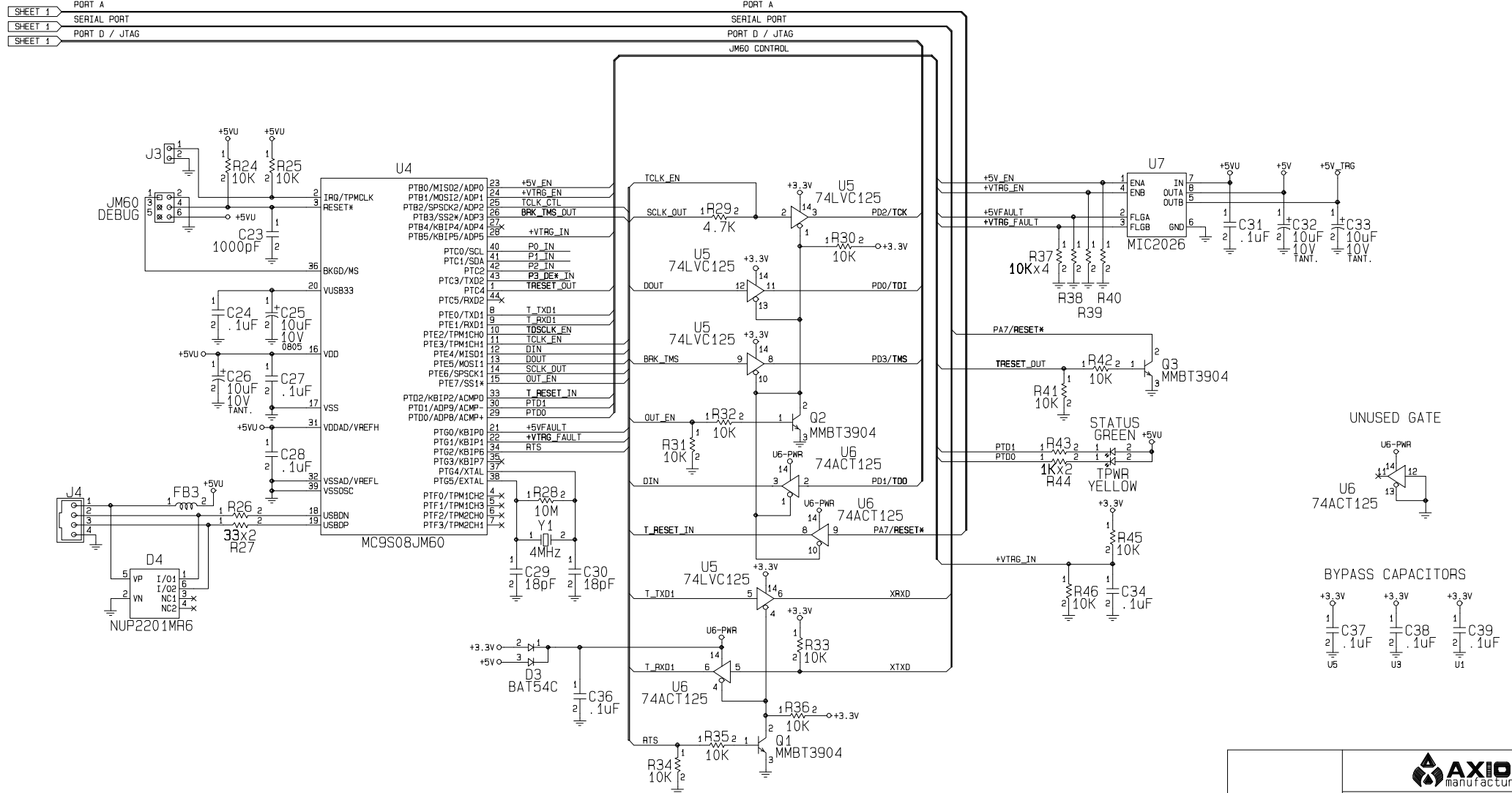


Note: C18 is np to favor motor control applications

APPROVALS		DATE	TITLE	
DRWN	GLM	051508	MC56F8006DEMO	
CHECKED	ADF	051508	AXM-0457	
FINISH			DWG NO	REV
			DOC-0457-030	B
			SCALE	SHEET 1 OF 2



SHEET 1 PORT A
 SHEET 1 SERIAL PORT
 SHEET 1 PORT D / JTAG



APPROVALS		DATE	TITLE	
DRWN	GLM	051508	MC56F8006DEMO AXM-0457	
CHEKCD	RDF	051508	SIZE	DWG NO
FINISH			SCALE	DOC-0457-030
				REV
				B
				SHEET 2 OF 2

