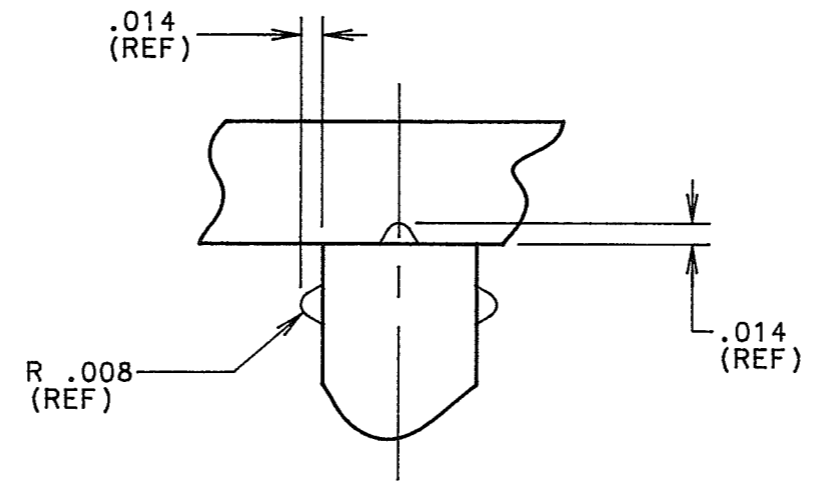
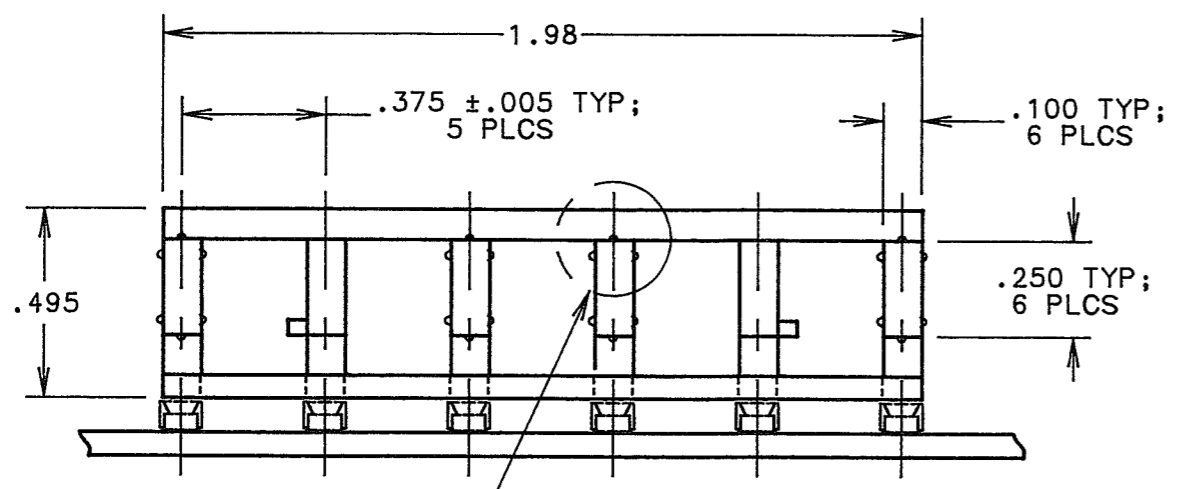
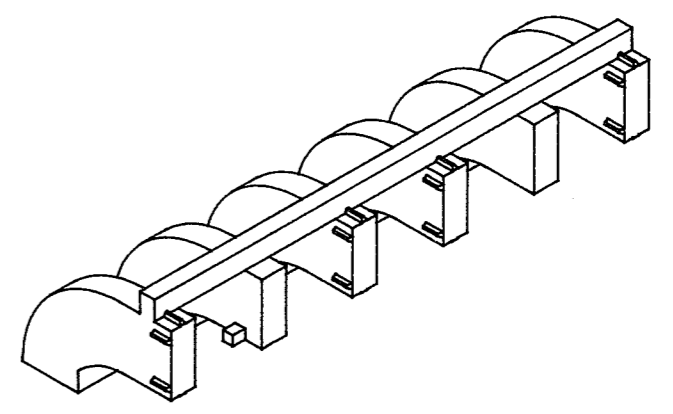


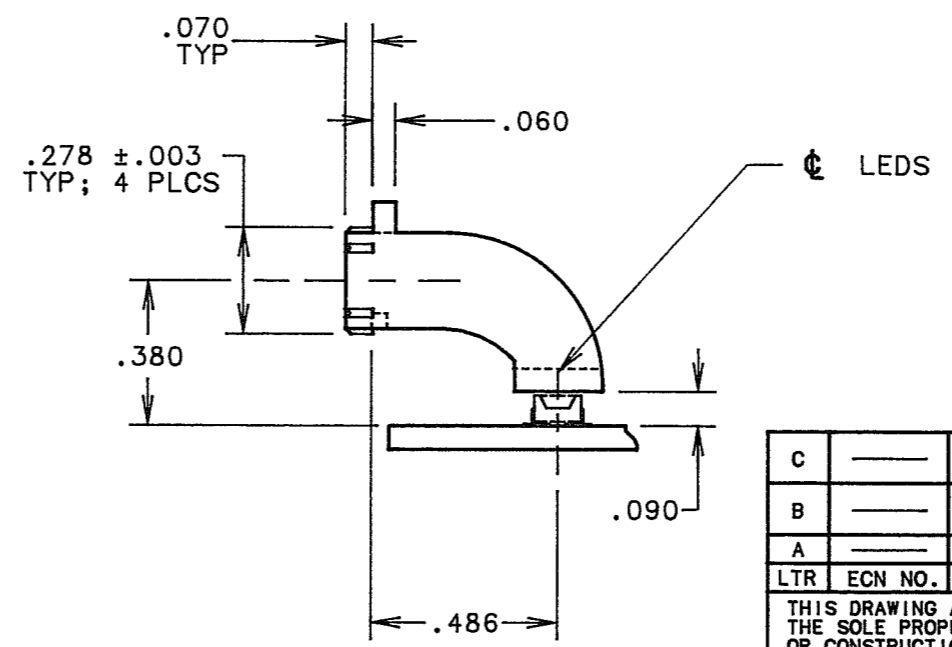
PRESS-FIT RIBS;
(NOTE 3)



DETAIL "A"



DETAIL "A"



NOTES:

1. COMPONENT TO BE MADE IN A CLEAR TRANSMISSIVE POLYCARBONATE.
2. COMPONENT TO BE PRESSED INTO FRONT PANEL WITH RECTANGULAR CUTOUTS OF $.270 \pm .002 \times .120 \pm .002 \times .070 \pm .005$ THICK WITH 1° DRAFT ALL SIDES.
3. 1° DRAFT PER LIGHTPIPE RIB INCREASING TOWARDS REAR OF COMPONENT.

C	REMOVED TABS AND RETURNED TO REV. "A" DESIGN.	T.C.	mc	2-19-97
B	ADDED (2) TABS WITH DIMS 1.500, .187, .200, Ø.100, R.100, & .71.	M.C.	D.C.	1-15-97
A	NEW RELEASE	M.C.	N.O.	10-4-96
LTR	ECN NO.	REVISIONS	DRN.	APP. DATE

THIS DRAWING AND THE CONTENTS HEREIN ARE CONFIDENTIAL AND THE SOLE PROPERTY OF DIALIGHT. REPRODUCTION OF THIS DRAWING OR CONSTRUCTION OF ANY PARTS WITHIN THIS DRAWING ARE FORBIDDEN WITHOUT THE PRIOR WRITTEN CONSENT OF DIALIGHT.

SCALE: 2:1	CUSTOMER DRAWING NO.	DWG. REV.
TOLERANCES: UNLESS OTHERWISE SPECIFIED ALL DIM'S IN: INCHES	C-16118	C
FRACTIONS: ± 1/64 DECIMALS(.XX) ± .02 DECIMALS(.XXX) ± .015 ANGLES ± 3°	TITLE	6-ELEMENT LIGHTPIPE
FINISH:	PART NUMBER	515-1046
FSCM 83330	Dialight	1913 Atlantic Ave. Manasquan, NJ 08736